

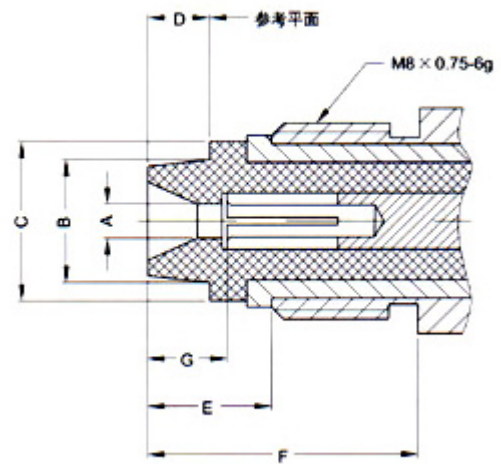
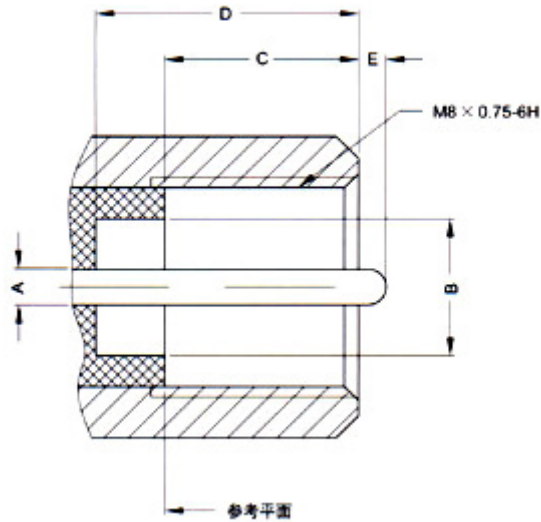
## FME Type RF Coaxial Connector Series

The FME series products join whorl as M8X0.75, have another name called SAP joining device, Suitable frequency does the signal and is transmitted and joins the coaxial cable of the radio frequency to use for the electron tube instrument, mobile communication, aerial system of 3GHz.

### Interface Mating Dimensions

**Plug**

**Jack**



Plug		
Code	Millimeters	
	Min	Max
A	1.25 nom	
B	4.70	--
C	6.40	--
D	9.00	--
E	0.00	1.00

Jack		
Code	Millimeters	
	Min	Max
A	--	1.35
B	--	4.60
C	--	6.80
D	--	2.60
E	4.90	--
G	7.60	--
H	4.00	5.00

### Technical Specifications

<b>Temp. Range</b>	-65 ~ +155	<b>Insulation Resistance</b>	5000 m
<b>Impedance</b>	50	<b>Durability (mating)</b>	≥ 500 (cycles)
<b>Frequency Range</b>	DC ~ 3GHZ	<b>Withstand Voltage</b>	1000V rms
<b>Working Voltage</b>	500V Max	<b>Contact Resistance</b>	Center Contact 10 m
<b>VSWR</b>	Straight 1.20 Right angle 1.25	<b>Insertion loss</b>	Outer Contact 5 m 0.15dB/2GHZ

### Material & Plating

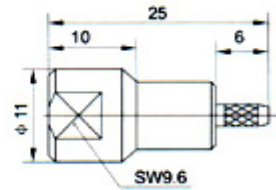
<b>Shell</b>	Brass	Nickel plated
<b>Contact Pin</b>	Brass	Gold plated
<b>Socket</b>	Beryllium or tin brass	Gold plated
<b>Insulator</b>	PTFE	
<b>Crimping suite</b>	Copper Alloy	Nickel or gold plated

### Applicable Standard

**RF Coaxial Connector for Flexible Cable**

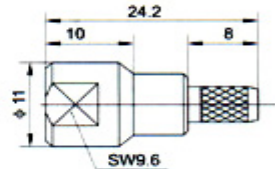
**Item Number:** FME-C-J1.5

**Cable Type:** SYV-50-2-1  
SFF-50-1.5-1  
RG-174/U



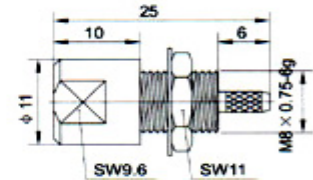
**Item Number:** FME-C-J3

**Cable Type:** SYV-50-3  
RG-58/U



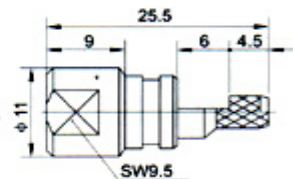
**Item Number:** FME-C-JY1.5

**Cable Type:** SYV-50-2-1  
SFF-50-1.5-1  
RG-174/U



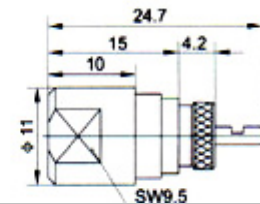
**Item Number:** FME-C-J1.5-1

**Cable Type:** SYV-50-2-1  
SFF-50-1.5-1  
RG-174/U



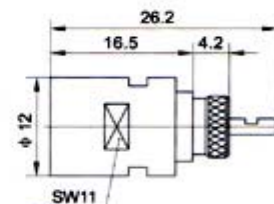
**Item Number:** FME-C-J0.8

**Cable Type:** 0.8-2V



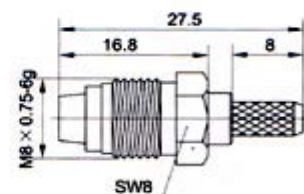
**Item Number:** FME-C-J0.8-A

**Cable Type:** 0.8-2V



**Item Number:** FME-C-K1.5

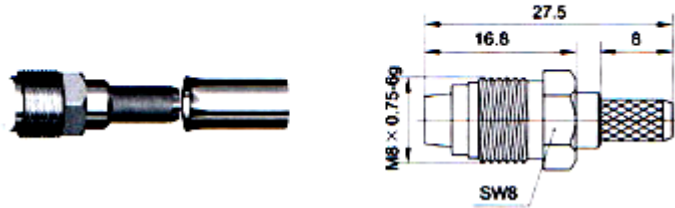
**Cable Type:** SYV-50-2-1  
SFF-50-1.5-1  
RG-174/U



**RF Coaxial Connector for Flexible Cable**

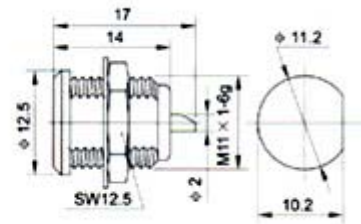
Item Number: FME-C-K3

Cable Type: SYV-50-3  
RG-58/U



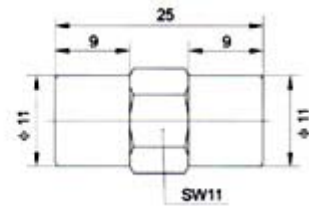
**BULKHEAD MOUNT CONNECTORS**

Item Number: FME-JY



**Within-type Adaptors**

Item Number: FME-50JJ



Item Number: FME-50KK

