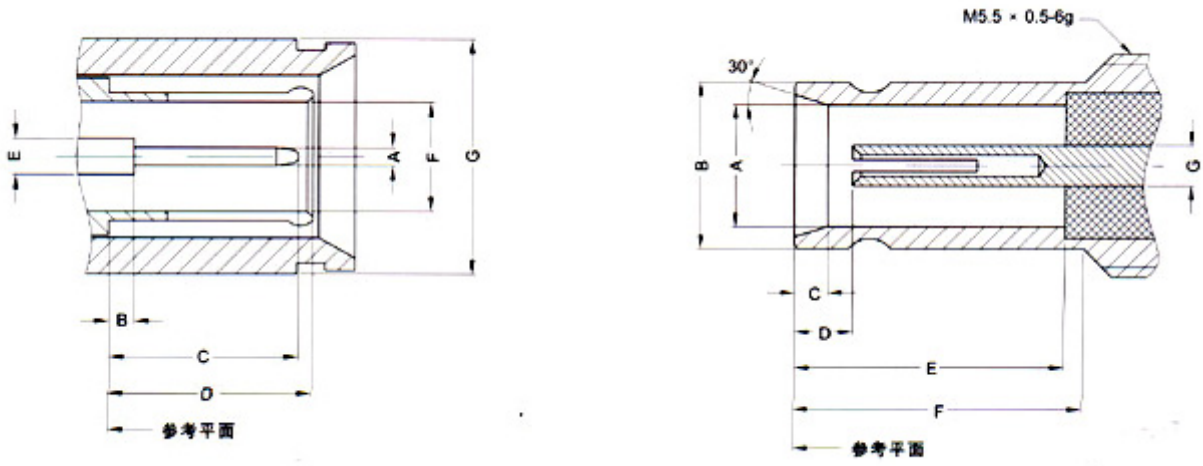




## 1.0/2.0(CC4) Type RF Coaxial Connector Series

1.0/2.0(CC4) type products to radio communication apparatus of miniaturization is digital to buy the line device extensively, Slipping into the framework, building blocks unit and all kinds of data supervise the system. Its characteristic is small, light, joins helping, performance is reliable, able to bear vibration, resists and is assaulted. Have lock device since.

### Interface Mating Dimensions



| Plug |             |      |
|------|-------------|------|
| Code | Millimeters |      |
|      | Min         | Max  |
| A    | 0.48        | 0.52 |
| B    | --          | 1.15 |
| C    | --          | 5.50 |
| D    | 5.40        | 5.70 |
| E    | 1.00 nom    |      |
| F    | 2.30 nom    |      |
| G    | --          | 8.00 |

| Jack |             |      |
|------|-------------|------|
| Code | Millimeters |      |
|      | Min         | Max  |
| A    | 3.00        | 3.06 |
| B    | 4.03        | 4.15 |
| C    | 0.50        | 0.60 |
| D    | 1.15        | 1.75 |
| E    | 5.80        | 5.90 |
| F    | 6.40        | 6.50 |
| G    | 1.00 nom    |      |

### Technical Specifications

|                           |                                |                              |                                |
|---------------------------|--------------------------------|------------------------------|--------------------------------|
| <b>Temp. Range</b>        | -40 ~ +85                      | <b>Insulation Resistance</b> | 1000 m                         |
| <b>Impedance</b>          | 50 , 75                        | <b>VSWR</b>                  | <i>Straight</i> 1.20           |
| <b>Frequency Range</b>    | DC ~ 4GHZ(50 ), DC ~ 1GHZ(75 ) | <b>Durability (mating)</b>   | <i>Right Angle</i> 1.22        |
| <b>Working Voltage</b>    | 350V Max                       | <b>Withstand Voltage</b>     | ≥ 500 (cycles)                 |
| <b>Contact Resistance</b> | <i>Center Contact</i> 6 m      | <b>Vibration</b>             | 750V rms                       |
|                           | <i>Outer Contact</i> 3 m       |                              | 100m/s <sup>2</sup> (10~500Hz) |

### Material & Plating

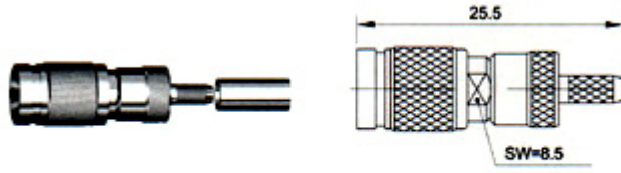
|                        |                        |                       |
|------------------------|------------------------|-----------------------|
| <b>Shell</b>           | Brass                  | Nickel or gold plated |
| <b>Contact pin</b>     | Brass                  | Gold plated           |
| <b>Socket</b>          | Brass                  | Gold plated           |
| <b>Elastic contact</b> | Beryllium or tin brass | Gold plated           |
| <b>Insulator</b>       | PTFE                   |                       |
| <b>Crimping suite</b>  | Copper Alloy           | Nickel or gold plated |
| <b>O-ring Sealing</b>  | 6146 Silastic          |                       |

### Applicable Standard

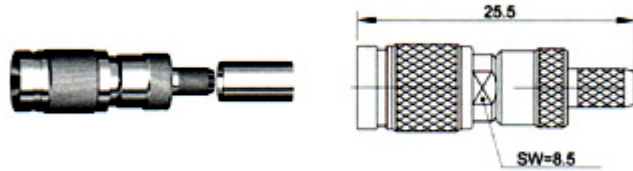
CECC 22230 , DIN 47297

**RF Coaxial Connector for Flexible Cable**

Item Number: CC4-C-75J1.5  
 Cable Type: SYV-75-2-1  
 SFF-75-1.5-1

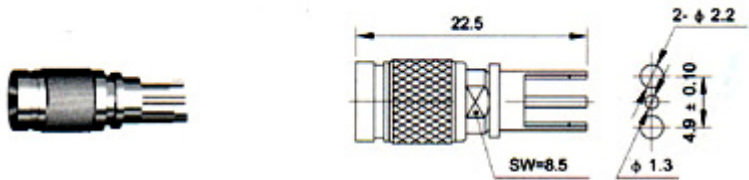


Item Number: CC4-C-75J2  
 Cable Type: SYV-75-2-2

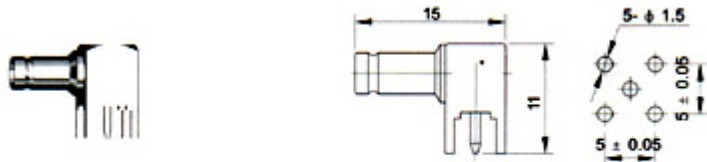


**Printed Circuit Board (PCB) Connector**

Item Number: CC4-75JE



Item Number: CC4-75KWE



Item Number: CC4-75KWE-1

