

## 1/4 WAVE LENGTH Type Arrester Series

### 1/4 WAVE LENGTH Type Series

- Utilize the principle of wavelength 1/4, when there is high pressure to interfere, the lightning conductor will hold up automatically (discharge). The normal work of the system.
- Design and fixed on the work of a certain frequency channel in advance.
- It can reuse and has not damaged specially, does not need to change.

### Technical Specifications

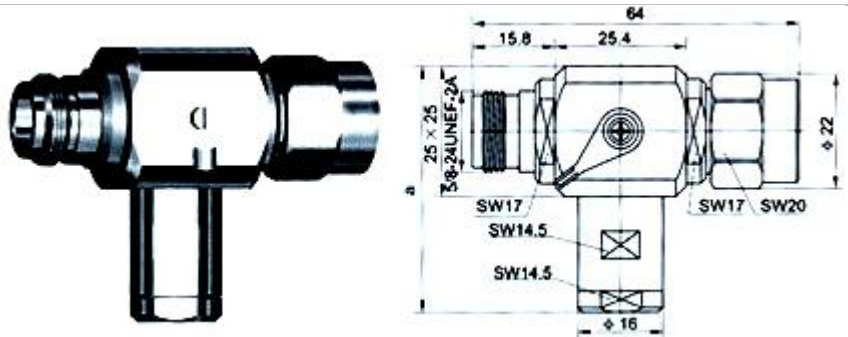
<b>Impedance</b>	50	<b>Frequency Range</b>	800~970MHz
<b>VSWR</b>	1.15		1700~1900MHz
<b>Insertion loss</b>	0.1dB		
<b>Intermodulation 3 rd order</b>	925MHz/43dBm+950MHz/43dBm    -170dBc		
	1825MHz/43dBm+1875MHz/43dBm    -160dBc		

### Material & Plating

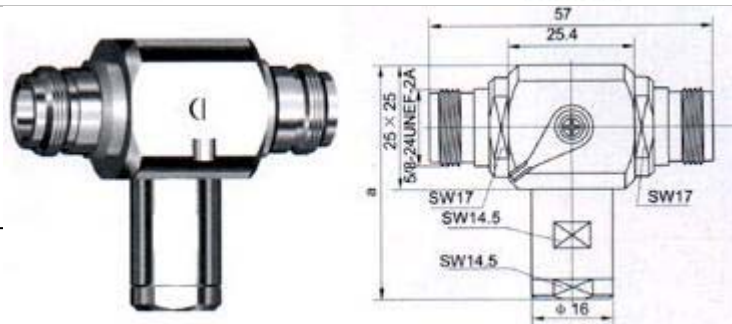
<b>Shell</b>	Brass	Silver or CuSnZn3 plated
<b>Contact Pin</b>	Brass	Gold plated
<b>Elastic contact</b>	Beryllium	Gold plated
<b>Insulator</b>	PTFE	
<b>Other metal parts</b>	Brass	Silver plated
<b>O-ring Sealing</b>	6146 Silastic	

### N 1/4 WAVE LENGTH TYPES ARRESTER

**Item Number:** BL-N-JK-0.9GHz  
BL-N-JK-1.8GHz



**Item Number:** BL-N-KK-0.9GHz  
BL-N-KK-1.8GHz



**7/16(L29) 1/4 WAVE LENGTH TYPES ARRESTER**

Item Number: BL-7/16-JK-0.9  
BL-7/16-JK-1.8



Item Number: BL-7/16-KK-0.9  
BL-7/16-KK-1.8

