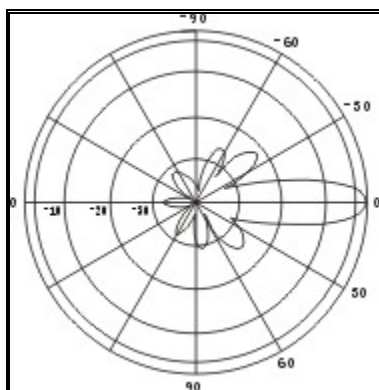


Grid Parabolic Antenna Series (for GSM & CDMA BTS)

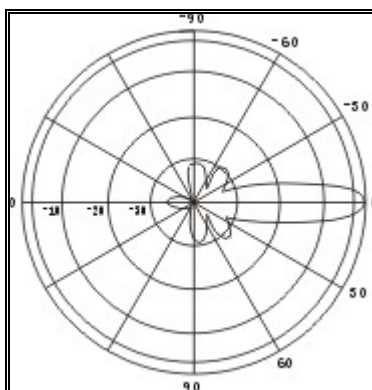
● 1400-1990MHz

## 1.2m-22.5/24dBi BTS Grid Parabolic Antenna

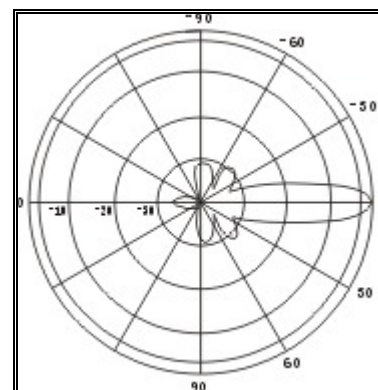
Model	TMP-22.5-1.5V	TMP-24-1.8V	TMP-24-1.9V
Frequency Range	1420-1580(MHz)	1710-1880(MHz)	1850-1990(MHz)
Input Impedance	50( $\Omega$ )		
VSWR	<1.5		
Gain	22.5(dBi)	24(dBi)	24(dBi)
(3dB)HPBW	11.5°H-plane	9.5°H-plane	8°H-plane
F/B	>30(dB)		
Maximum Power	200(W)		
Polarization	Vertical Polarization		
Connector Type	N FEMALE		
Lightning Protection	Direct Ground		
Wind Velocity	200(km/h)		
Caliber	1200(mm)		
Weight	18(Kg)		
Hold Pole Diameter	$\phi$ 50- $\phi$ 100(mm)		



**1.5V Horizontal Plane**



**1.8V Horizontal Plane**



**1.9V Horizontal Plane**