
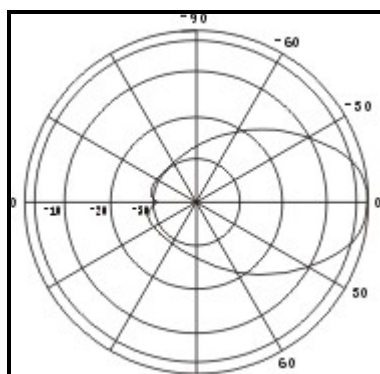


Panel Directional Antenna Series (for GSM & CDMA BTS)

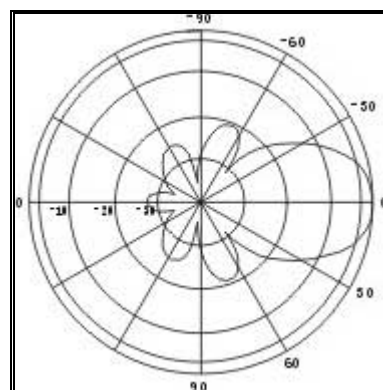
● 2400-2483MHz

30°-15dBi BTS Panel Directional Antenna

Model	TMD-15-2.4V	
Frequency Range	2400-2483(MHz)	
Input Impedance	50(Ω)	
VSWR	<1.5	
Gain	15(dBi)	
(3dB)HPBW	30°H-plane 30°V-plane	
F/B	>25(dB)	
Maximum Power	200(W)	
Polarization	Vertical Polarization	
Connector Type	N FEMALE	
Lightning Protection	Direct Ground	
Wind Velocity	200(km/h)	
Length/Width/Depth	216×190×45(mm)	
Weight	1.5(Kg)	
Hold Pole Diameter	φ33-φ48(mm)	



Horizontal Plane



Vertical Plane