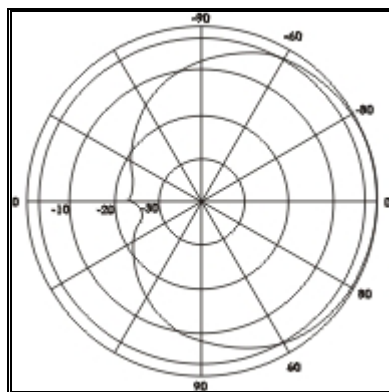


Single-Polarized Panel Directional Antenna Series (for GSM & CDMA BTS)

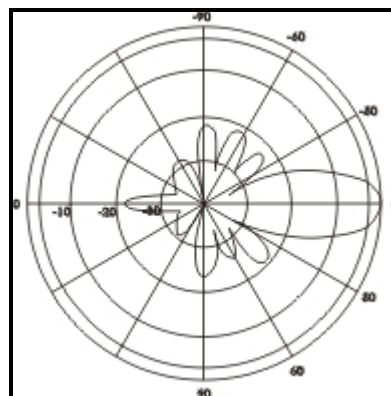
● 824-960MHz

## 120°-12.5dBi BTS Panel Directional Antenna

Model	TMD-12120-08V	TMD-12120-09V	
Frequency Range	824-896(MHz)	890-960(MHz)	
Input Impedance	50(Ω)		
VSWR	<1.5		
Gain	12.5(dBi)		
(3dB)HPBW	120°H-plane 14°V-plane		
F/B	>20(dB)		
Maximum Power	500(W)		
Polarization	Vertical Polarization		
PIM	<-107(dBm)		
Connector Type	7/16 or N FEMALE		
Lightning Protection	Direct Ground		
Wind Velocity	200(km/h)		
Height/Width/Depth	1200/280/130(mm)		
Weight	15(Kg)		
Hold Pole Diameter	φ50-φ114(mm)		



**Horizontal Plane**



**Vertical Plane**